

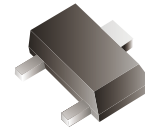
CDBR3-54M-HF

Reverse Voltage: 30 Volts

Forward Current: 200 mA

RoHS Device

Halogen Free



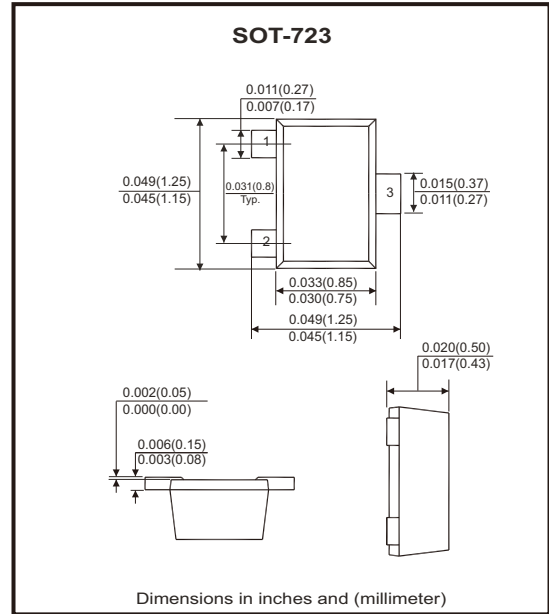
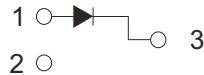
Features

- Extremely Fast Switching Speed.
- Low Forward Voltage.

Mechanical data

- Case: SOT-723, Molded Plastic
- Trminals: Solderable per MIL-STD-202, Method 208.

Circuit Diagram



Maximum Ratings (at Ta=25°C unless otherwise noted)

Parameter	Conditions	Symbol	Limits	Unit
Peak repetitive reverse voltage		V _{RRM}	30	V
Working peak reverse voltage		V _{RWM}	30	V
RMS reverse voltage		V _{R(RMS)}	21	V
Average forward current		I _o	200	mA
Non-repetitive peak forward surge current	@t < 1s	I _{FSM}	600	mA
Repetitive peak forward current	@t ≤ 1s, δ ≤ 0.5	I _{FRM}	300	mA
Power dissipation		P _D	150	mW
Thermal resistance from junction to ambient		R _{θJA}	667	°C/W
Operating temperature range		T _j	-55 to +125	°C
Storage temperature range		T _{STG}	-55 to +150	°C

Electrical Characteristics (at Ta=25°C unless otherwise noted)

Parameter	Conditions	Symbol	Min	Typ	Max	Unit
Reverse voltage	I _R = 100μA	V _(BR)	30			V
Reverse current	V _R = 25V	I _R			2	μA
Forward voltage	I _F = 0.1mA	V _{F1}			0.24	V
	I _F = 1mA	V _{F2}			0.32	
	I _F = 10mA	V _{F3}			0.4	
	I _F = 30mA	V _{F4}			0.5	
	I _F = 100mA	V _{F5}			1	
Junction capacitance	V _R =1V, f = 1MHz	C _J		10		pF
Reverse recovery time	I _F = I _R = 10mA, I _{R(REC)} = 1mA	t _{rr}			5	ns

Company reserves the right to improve product design , functions and reliability without notice.

REV:C

Rating and Characteristic Curves (CDBR3-54M-HF)

Fig.1 - Typical Forward Characteristics

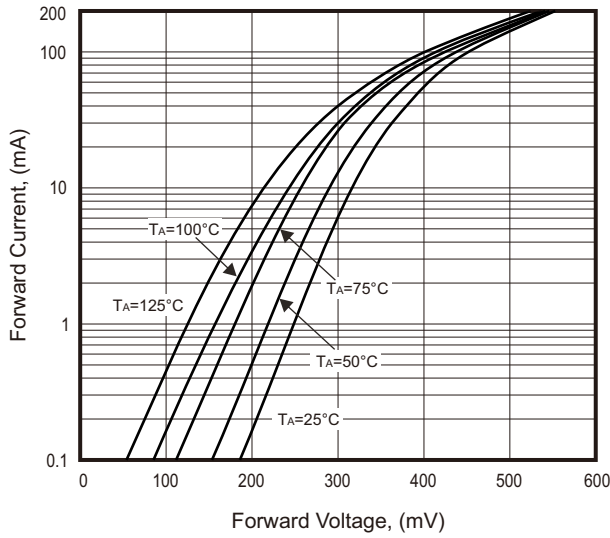


Fig.2 - Typical Reverse Characteristics

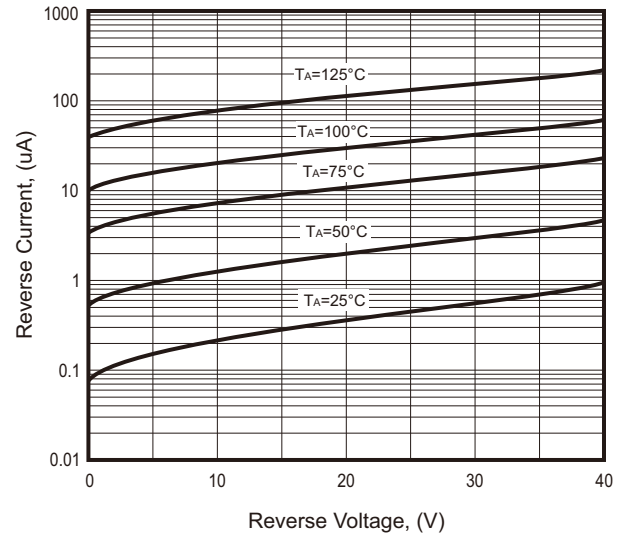


Fig.3 - Capacitance Characteristics

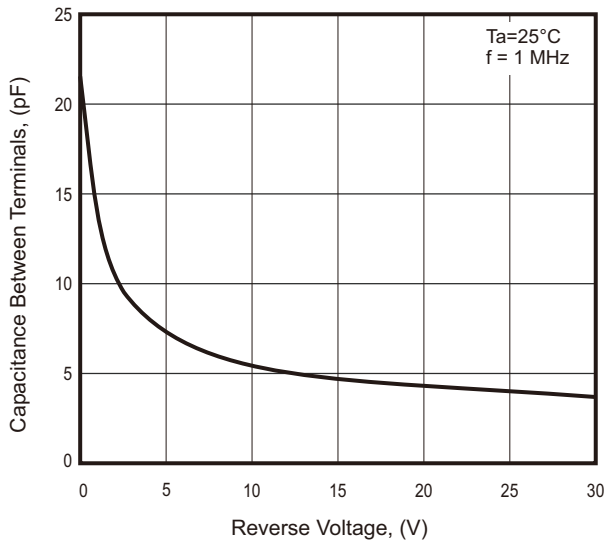
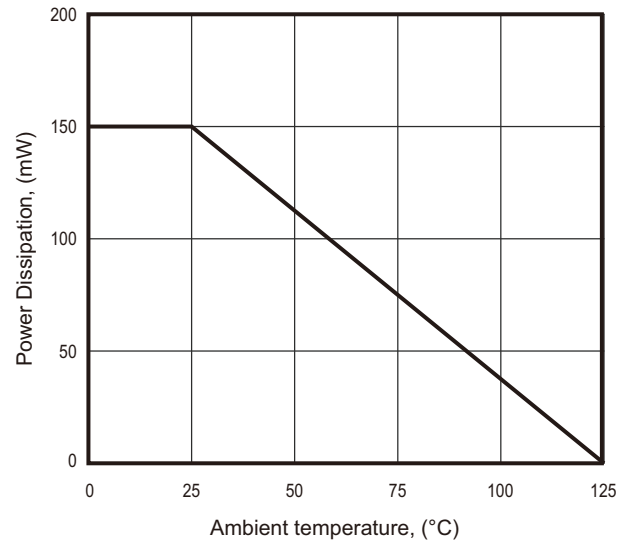
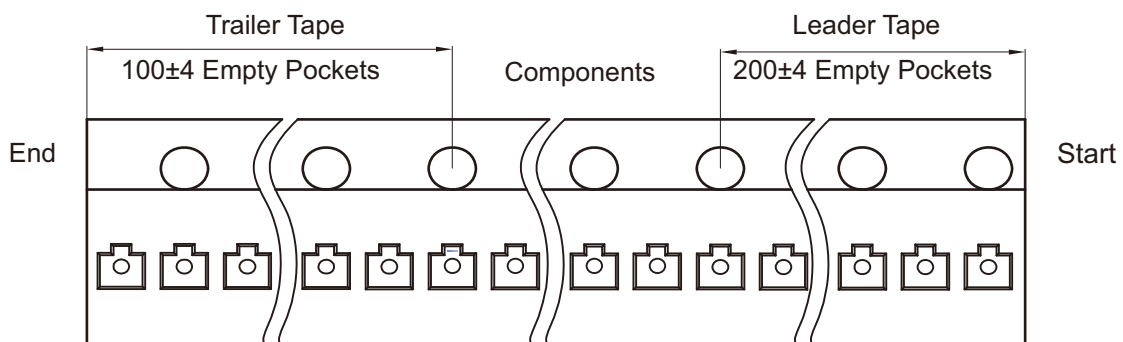
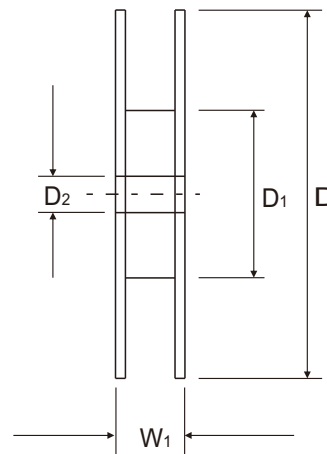
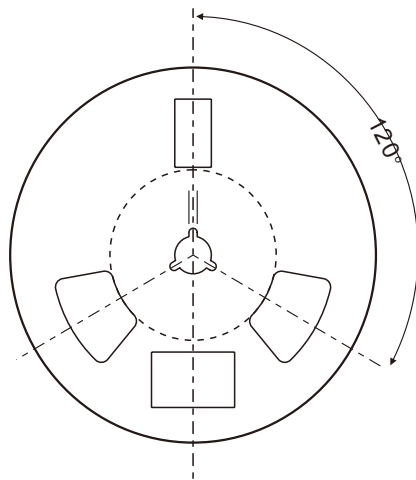
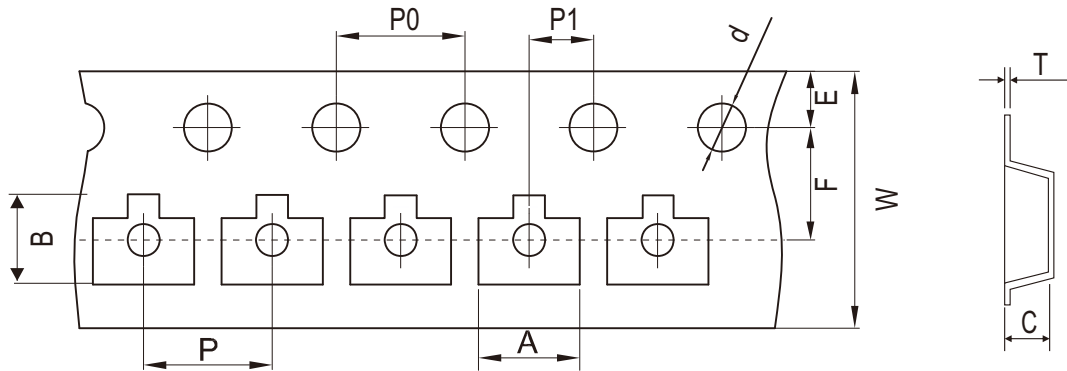


Fig.4 - Power Derating Curve



Reel Taping Specification



SOT-723	SYMBOL	A	B	C	d	D	D1	D2
	(mm)	1.33 ± 0.05	1.45 ± 0.05	0.61 ± 0.05	1.50 ± 0.10	178 ± 2.00	54.40 ± 1.00	13.00 ± 1.00
	(inch)	0.052 ± 0.002	0.057 ± 0.002	0.024 ± 0.002	0.059 ± 0.004	7.008 ± 0.078	2.142 ± 0.039	0.512 ± 0.039

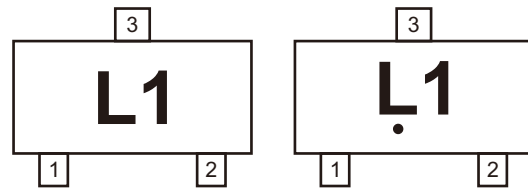
SOT-723	SYMBOL	E	F	P	P0	P1	W	W1
	(mm)	1.75 ± 0.10	3.50 ± 0.05	2.00 ± 0.10	4.00 ± 0.10	2.00 ± 0.10	8.00 + 0.30 / - 0.10	12.30 ± 1.00
	(inch)	0.069 ± 0.004	0.138 ± 0.002	0.079 ± 0.004	0.158 ± 0.004	0.079 ± 0.004	0.315 + 0.012 / - 0.004	0.484 ± 0.039

Company reserves the right to improve product design, functions and reliability without notice.

REV:C

Marking Code

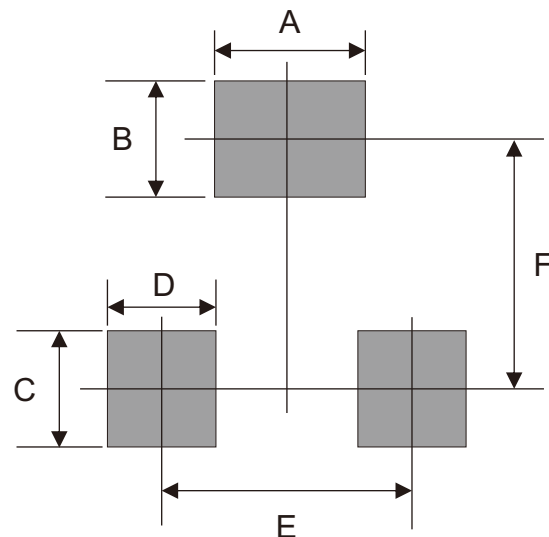
Part Number	Marking Code
CDBR3-54M-HF	L1



Solid dot = Control code

Suggested P.C.B. PAD Layout

SIZE	SOT-723	
	(mm)	(inch)
A	0.42	0.017
B	0.30	0.012
C	0.30	0.012
D	0.32	0.013
E	0.80	0.031
F	1.00	0.039



Note: 1.The pad layout is for reference purposes only.

Standard Packaging

Case Type	REEL PACK	
	REEL (pcs)	Reel Size (inch)
SOT-723	8,000	7